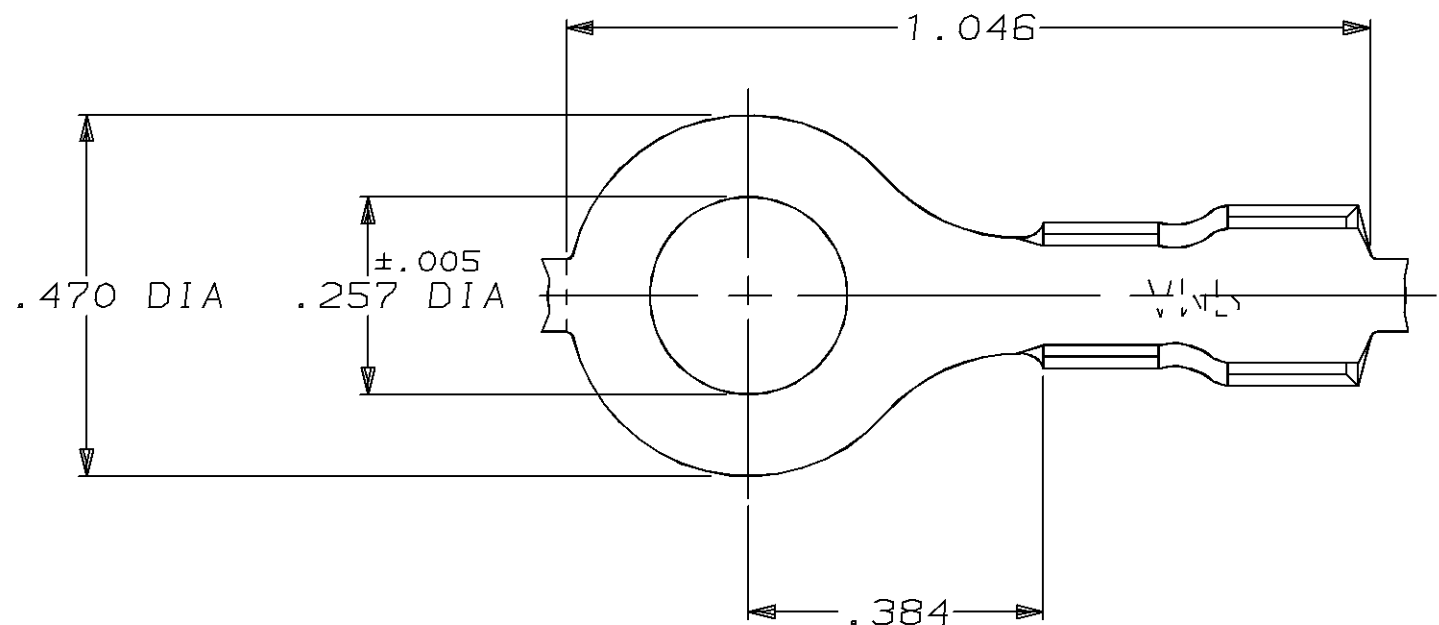
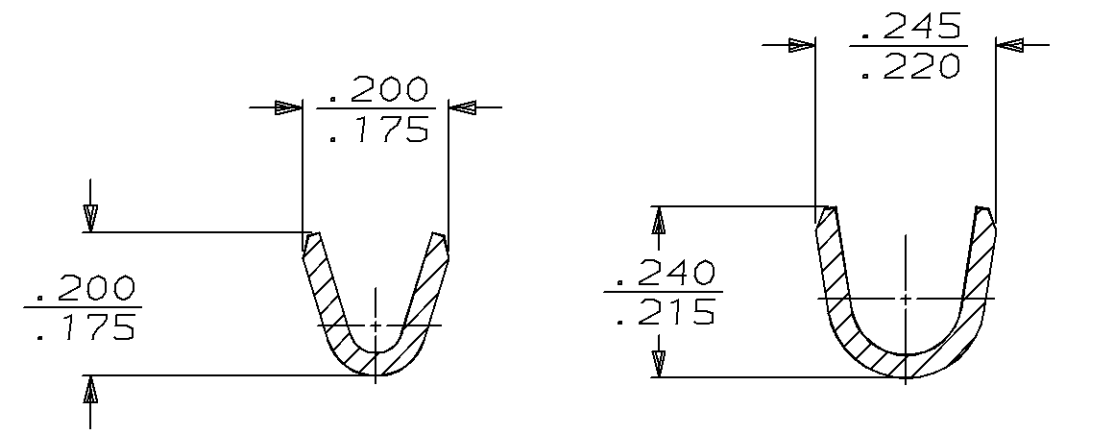
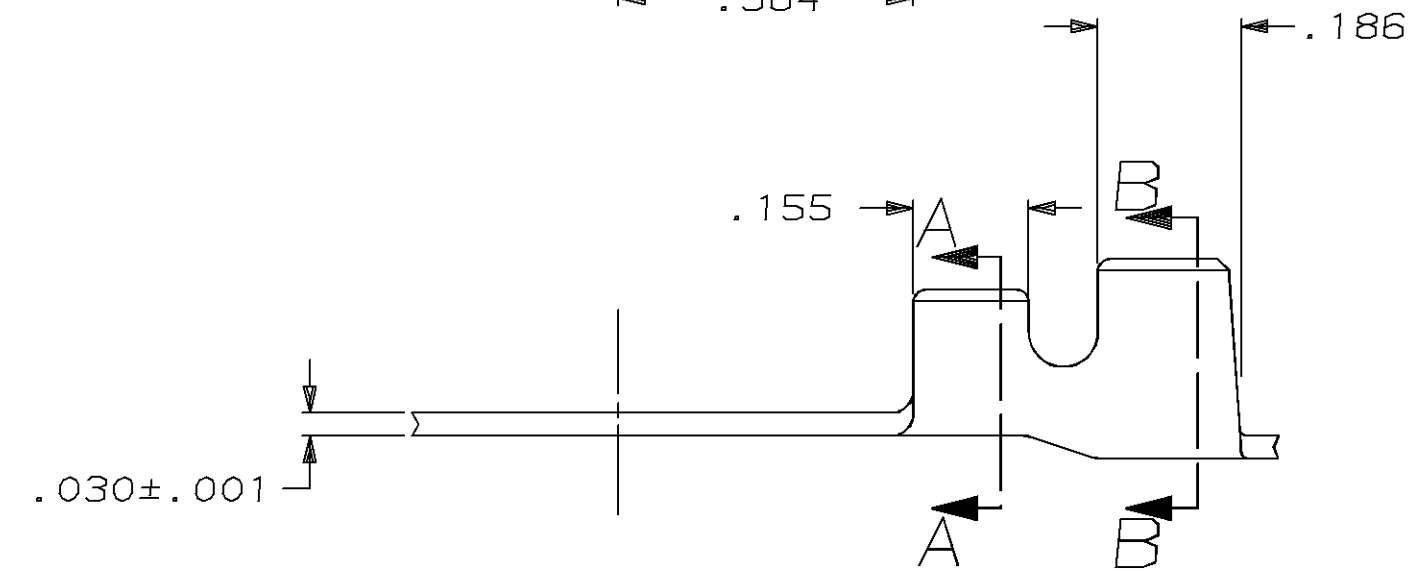


THIS DRAWING IS UNPUBLISHED. RELEASED FOR PUBLICATION, 19  
 © COPYRIGHT 19 BY AMP INCORPORATED. ALL INTERNATIONAL RIGHTS RESERVED.

LOC	DIST	P	F	ZONE	LTR	REVISIONS	DATE	APPD
AF	50				L	ADD -5 PER 0710-0234-96	4/16/90	PF/JR



- 1 CONTINUOUS STRIP ON REELS
- 2 .000080 MIN TIN PL PER MIL-T-10727
- 3 P/N 42751-5 REELED WITH INTERLEAF PAPER.



SECTION A-A SECTION B-B

#2 HARD BRASS	---	.120-.180 DIA	16-14 AWG	42751-5
1/4 HARD PHOS BRONZE	---			42751-3
#2 HARD BRASS	2			42751-2
#2 HARD BRASS	---			42751-1
MATERIAL	FINISH	INSULATION RANGE	WIRE SIZE	PART NO

F or 0	.210	.220	F	.155	.087	14
					.081	16
TYPE	WIDTH	STRIP LENGTH ±.015	TYPE	WIDTH	±.002 HEIGHT	WIRE
INSUL BARREL CRIMP			WIRE BARREL CRIMP			

DO NOT SCALE PRINT. UNLESS SPECIFIED DIMENSIONS IN INCHES TOLERANCES ON:  
 2 PLC DEC ± -  
 3 PLC DEC ± .015  
 ANGLES ± -

MATERIAL: SEE TABLE  
 FINISH: SEE TABLE

DR 4/16/90 P FORTNEY  
 CHK 4/16/90 JR RUTH  
 APPD 4/16/90 G YETTER  
 APPD 4/16/90 R KUZO  
 PRODUCT SPEC -  
 APPLICATION SPEC -  
 WEIGHT -

**AMP** AMP Incorporated  
 Harrisburg, PA 17105-3608

NAME: RING

SIZE: B CAGE CODE: 00779 DRAWING NO: 42751  
 SCALE: 4:1 SHEET: 1 OF 1